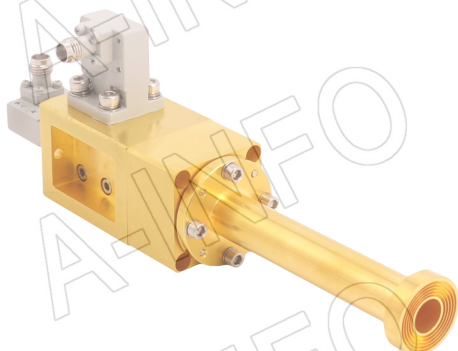


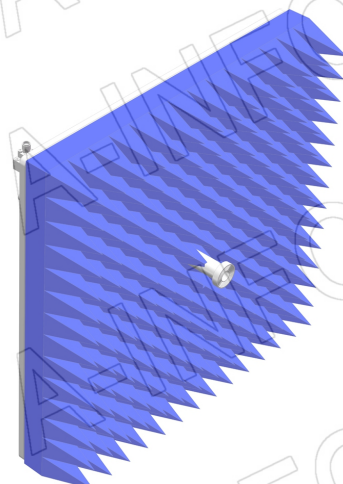
For reference only. See data sheet for the detailed specifications.

Technical Specification

LB-ACH-28-10-T26-C-KF



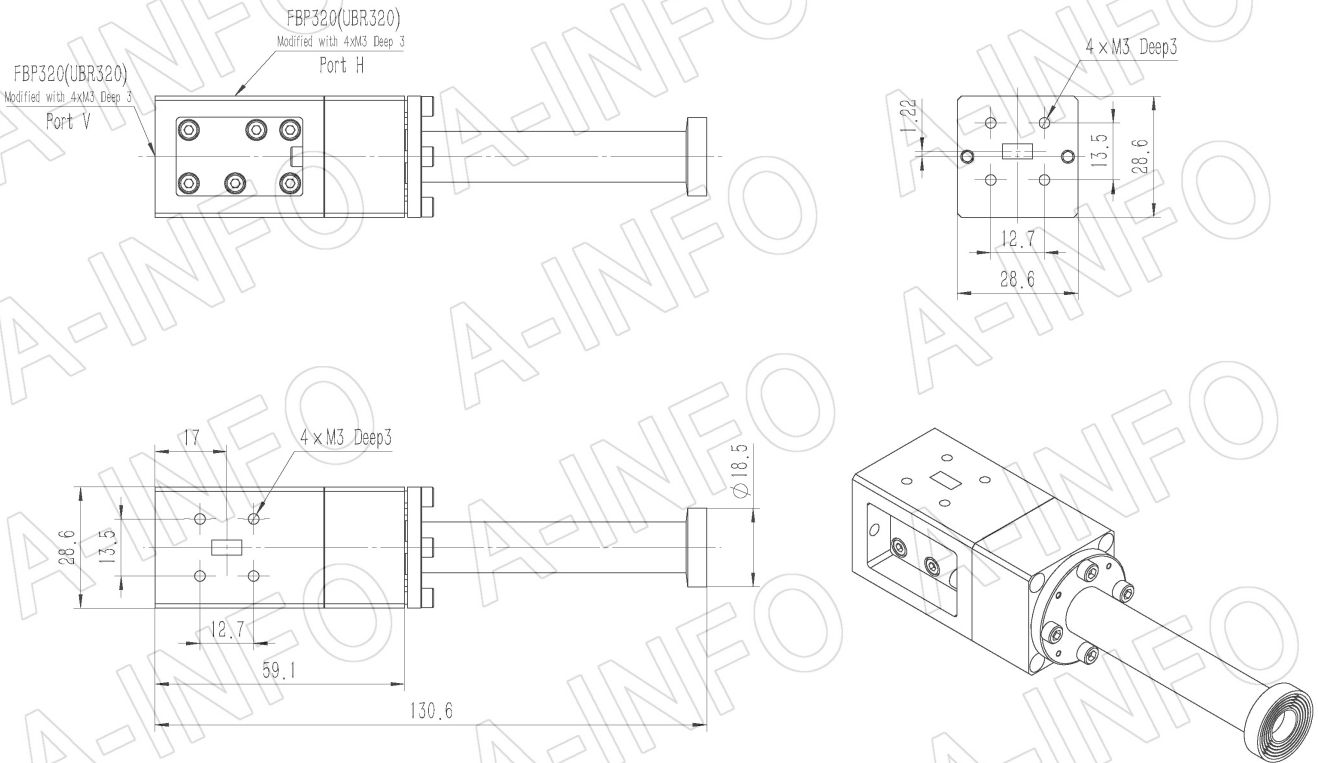
LB-ACH-28-10-T26-C-KF-A1



Frequency Range(GHz)	26.0 – 35.0	
Waveguide	WR28	
Gain(dBi)	10 Typ.	
Polarization	Dual Linear	
3dB Beamwidth(deg)	E Plane:	57 Typ.
	H Plane:	61 Typ.
10dB Beamwidth(deg)	E Plane:	106 Typ.
	H Plane:	110 Typ.
Cross Pol. Isolation(dB)	35 Typ.	
Port to Port Isolation(dB)	40 Typ., 30 Min.	
VSWR	A Type:	1.80:1 Typ.
	C Type:	1.80:1 Typ.
Output	A Type:	FBP320(UBR320) (Modified with 4xM3 D3)
	C Type:	2.92mm-Female 2.4mm-Female
Material	Cu	
Finish	Gold Plated, Gray Paint	
Size(mm)	A Type:	28.6 x 28.6 x 130.6
	C Type:	52.6 x 52.6 x 154.6
	A-A1:	259 x 259 x 168.7
	C-KF-A1:	259 x 259 x 192.7
Net Weight(Kg)	A Type:	0.35 Around
	C Type:	0.43 Around
	A-A1:	2.65 Around
	C-KF-A1:	2.73 Around

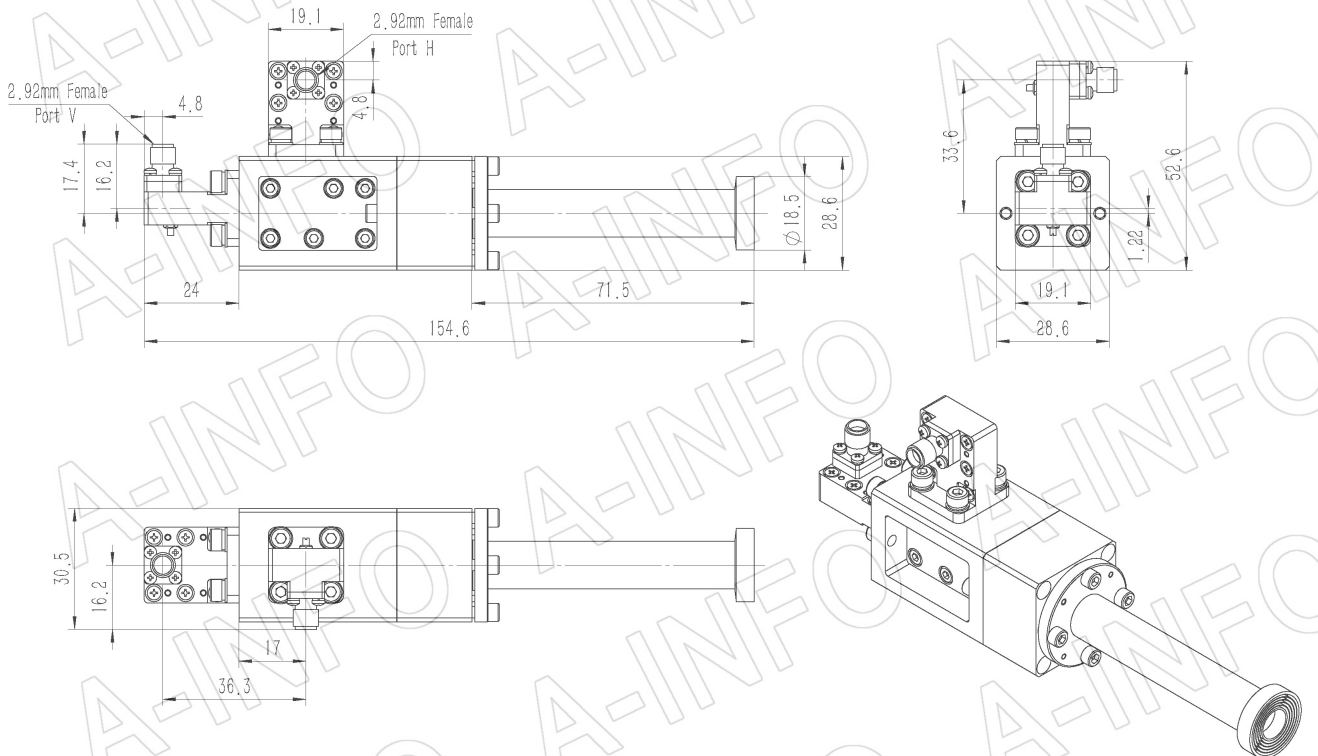
Outline Drawing (Size: mm)

FBP320 Output (P/N: LB-ACH-28-10-T26-A)

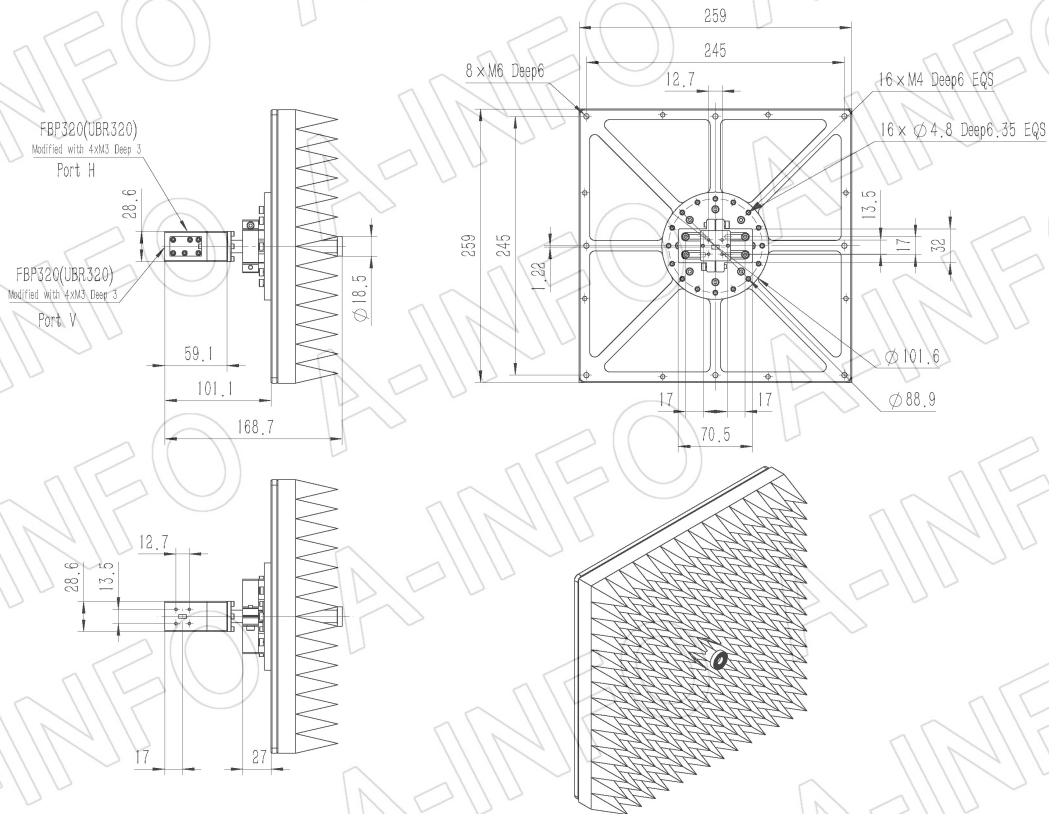


2.92mm-Female Output (P/N: LB-ACH-28-10-T26-C-KF)

For 2.4mm-Female output outline drawing, please contact A-INFO.

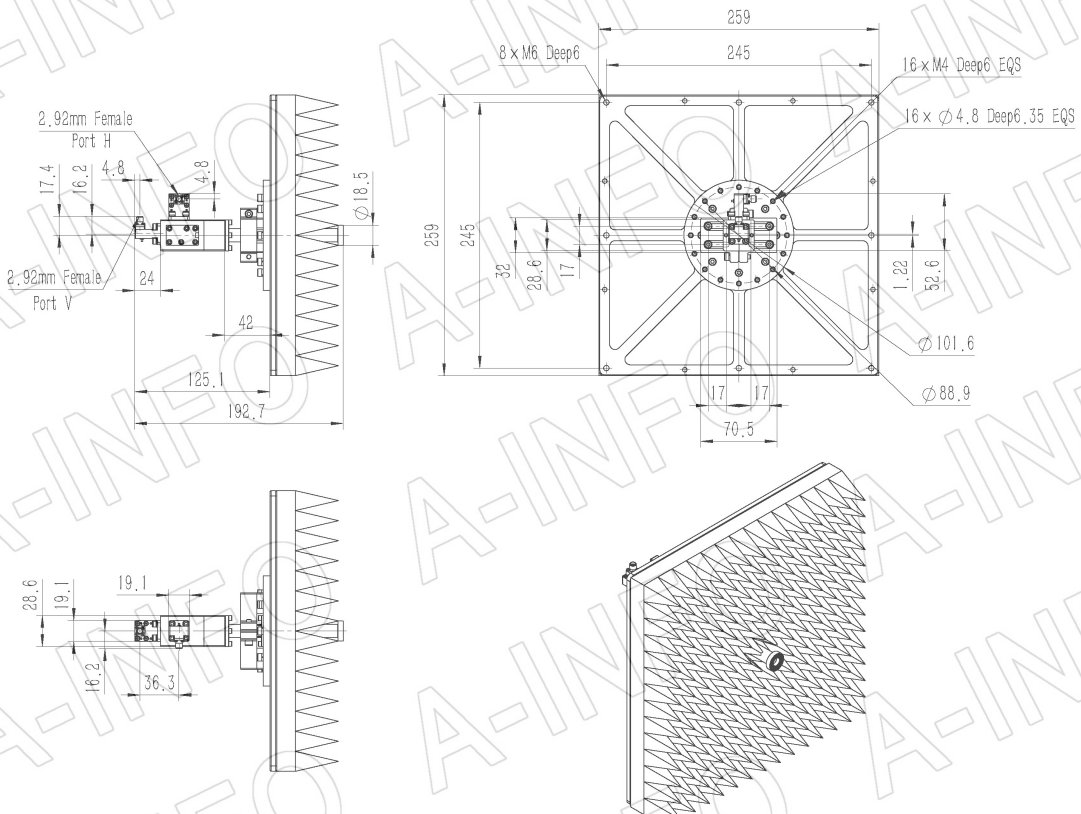


FBP320 Output, Equipped with Absorber (Option, P/N:LB-ACH-28-10-T26-A-A1)



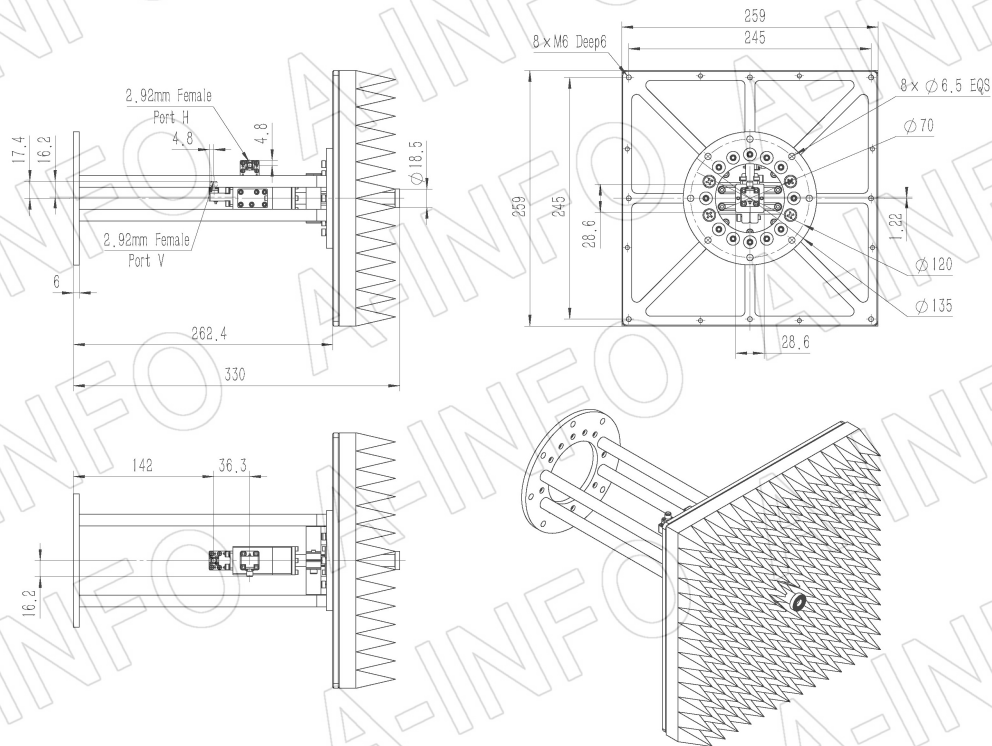
2.92mm-Female Output, Equipped with Absorber (Option, P/N: LB-ACH-28-10-T26-C-KF-A1)

For 2.4mm-Female output outline drawing, please contact A-INFO.



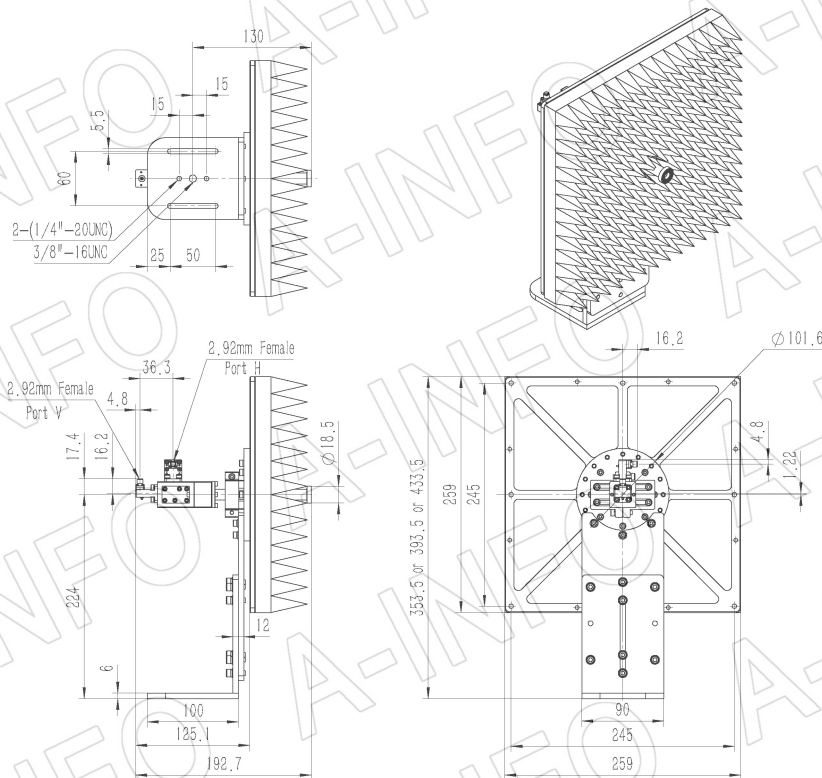
2.92mm-Female Output with Round Mounting Bracket & Equipped with Absorber (Option, P/N: EWG-MB40 & LB-ACH-28-10-T26-C-KF-A1)

For 2.4mm-Female output outline drawing, please contact A-INFO.

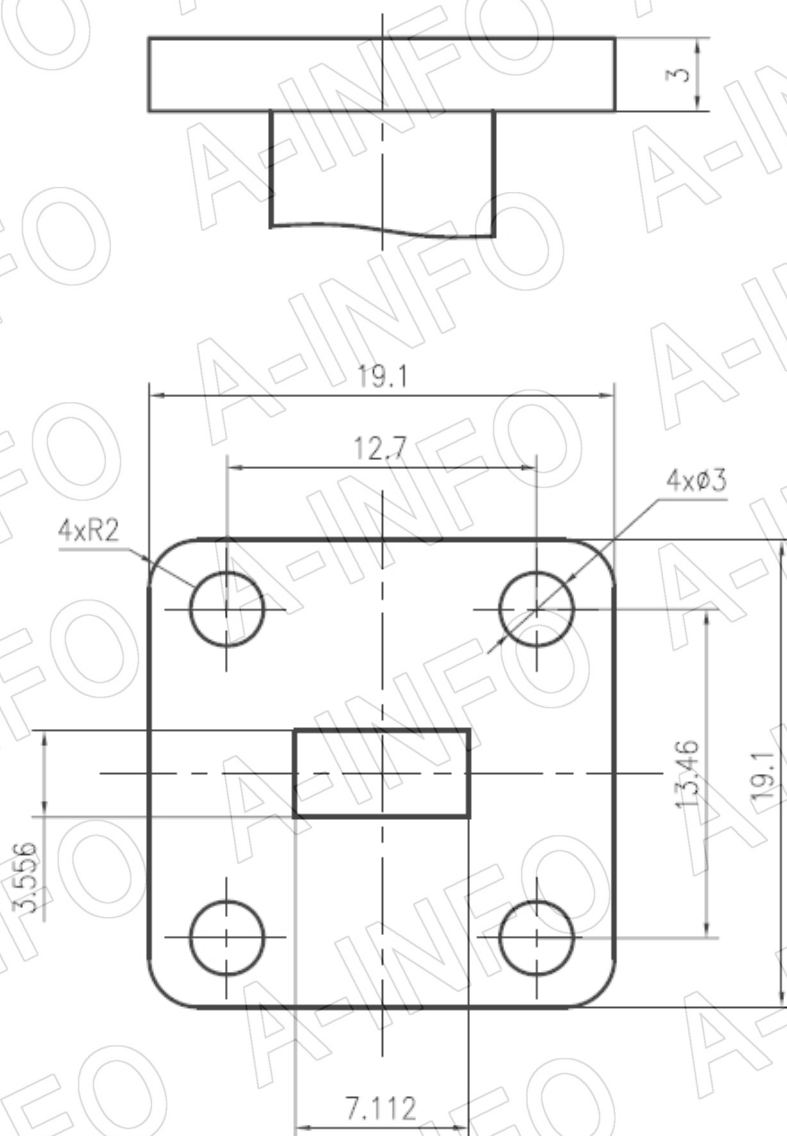


2.92mm-Female Output with L Type Mounting Bracket & Equipped with Absorber (Option, P/N: EWG-L40 & LB-ACH-28-10-T26-C-KF-A1)

For 2.4mm-Female output outline drawing, please contact A-INFO.



Flange Drawing (Size: mm)



FBP320

AINFO Inc.

China(Beijing): Tel: (+86) 10-6266-7326,
China(Chengdu): Tel: (+86) 28-8519-2786,
USA: Tel: (+1) 949-639-9688,

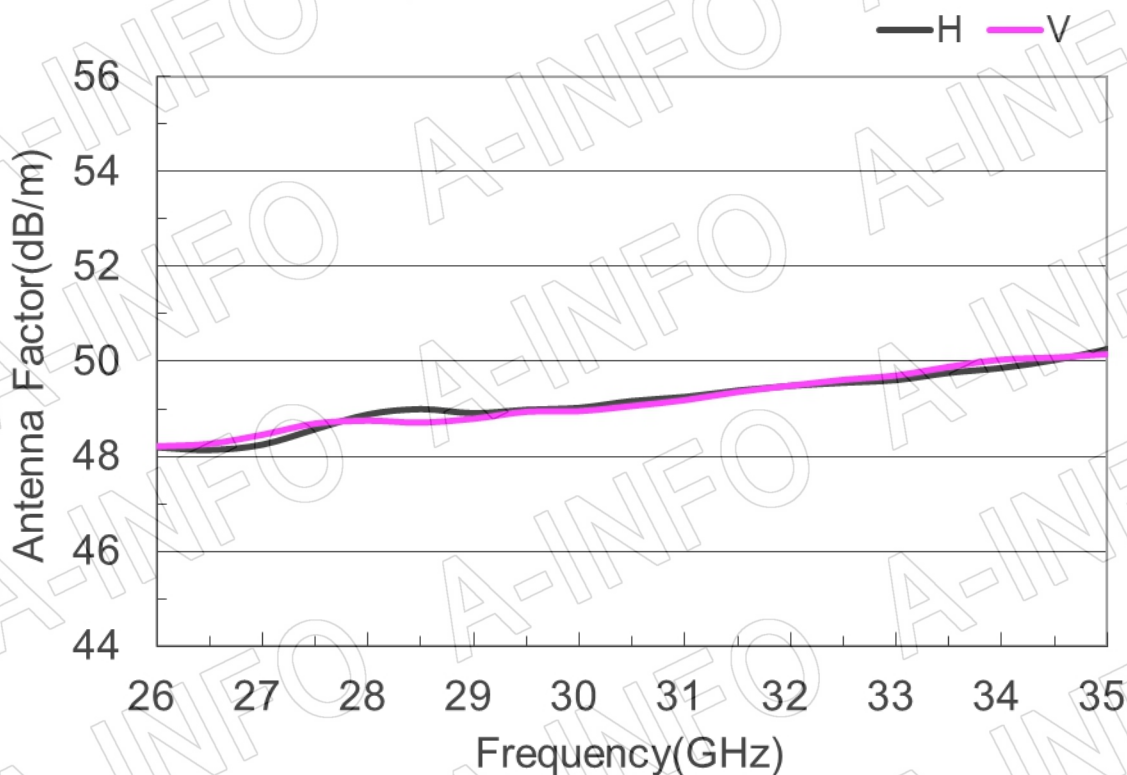
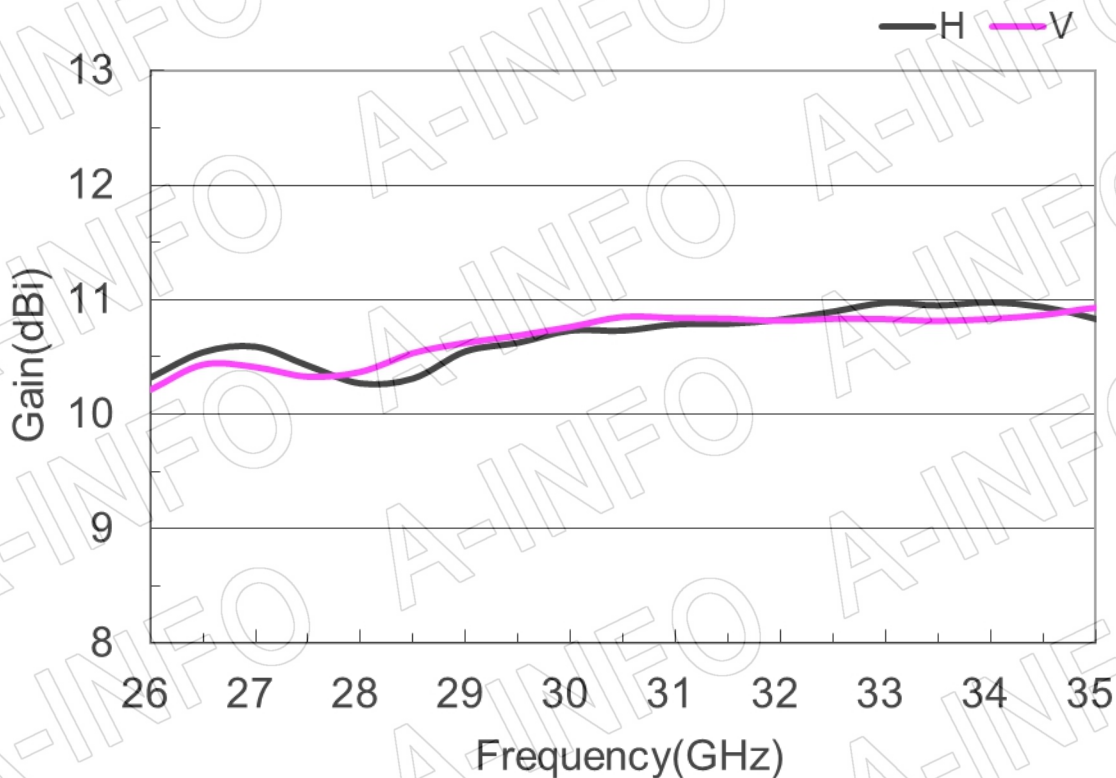
Page 5 of 13

(+86) 10-6266-7327 Fax: (+86) 10-6266-7379
(+86) 28-8519-3044 Fax: (+86) 28-8519-3068
(+1) 949-639-9608 Fax: (+1) 949-639-9670

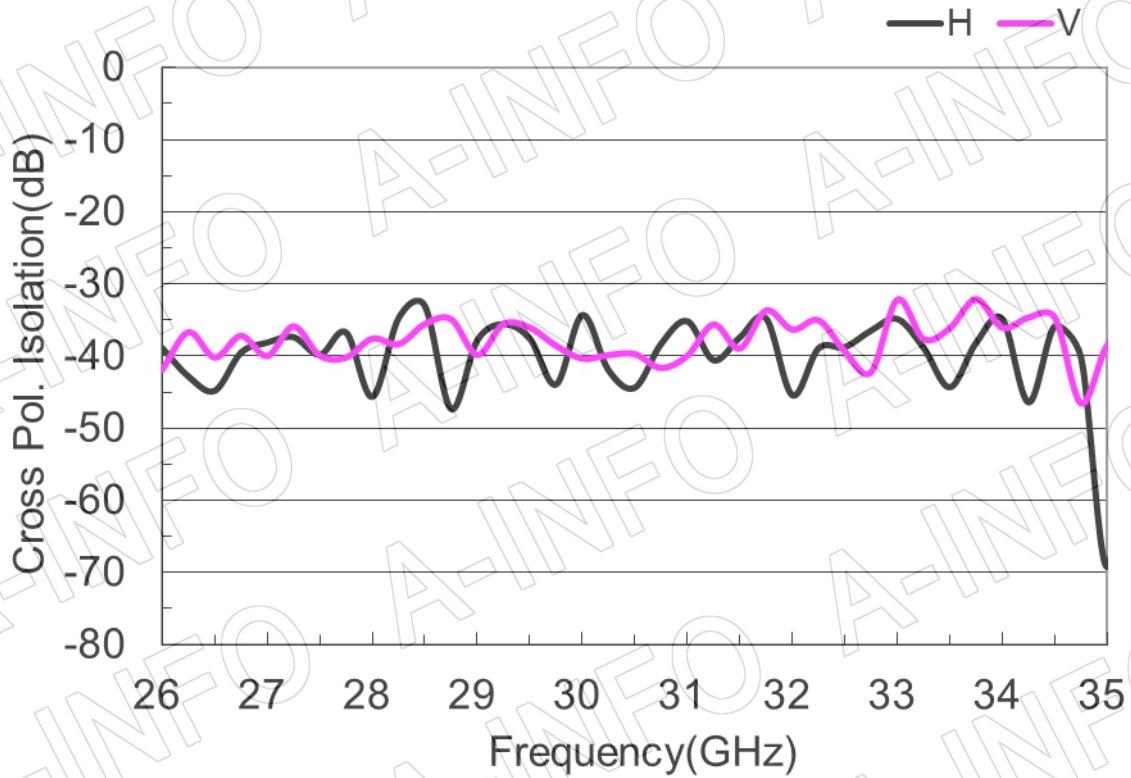
Website: www.ainfoinc.com
Email: sales@ainfoinc.com

Test Results

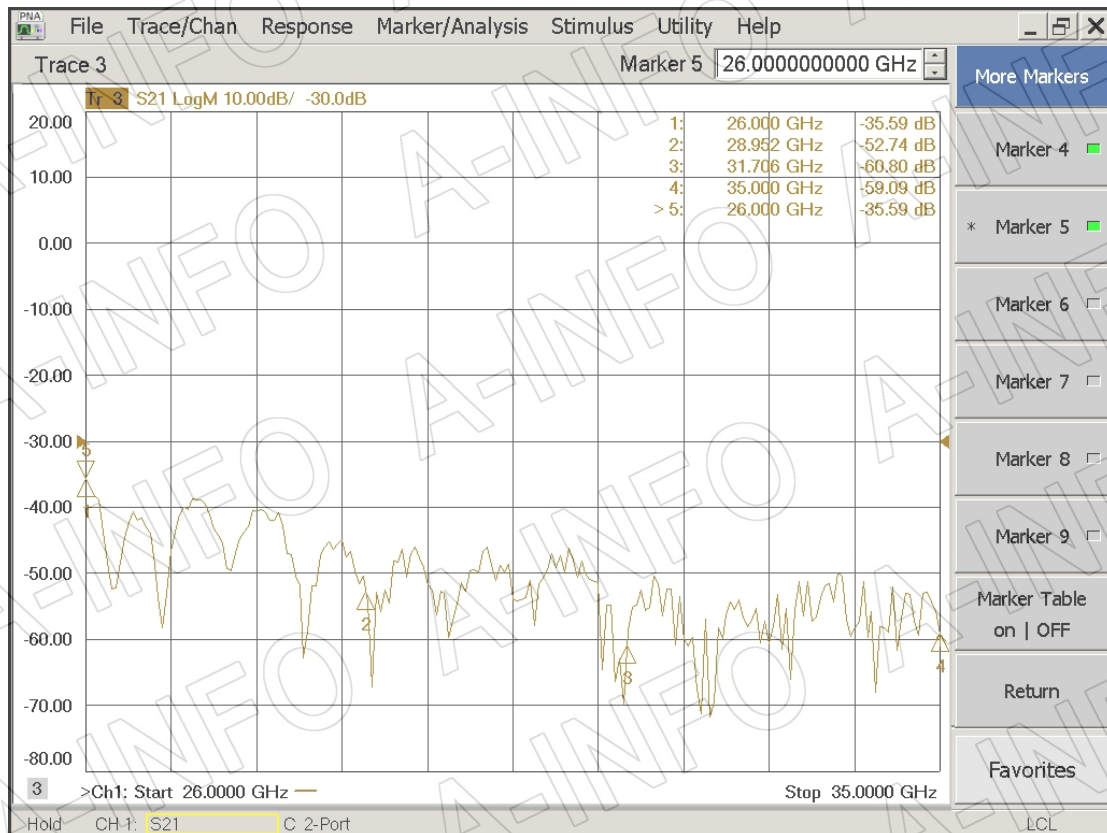
1. Gain & Antenna Factor



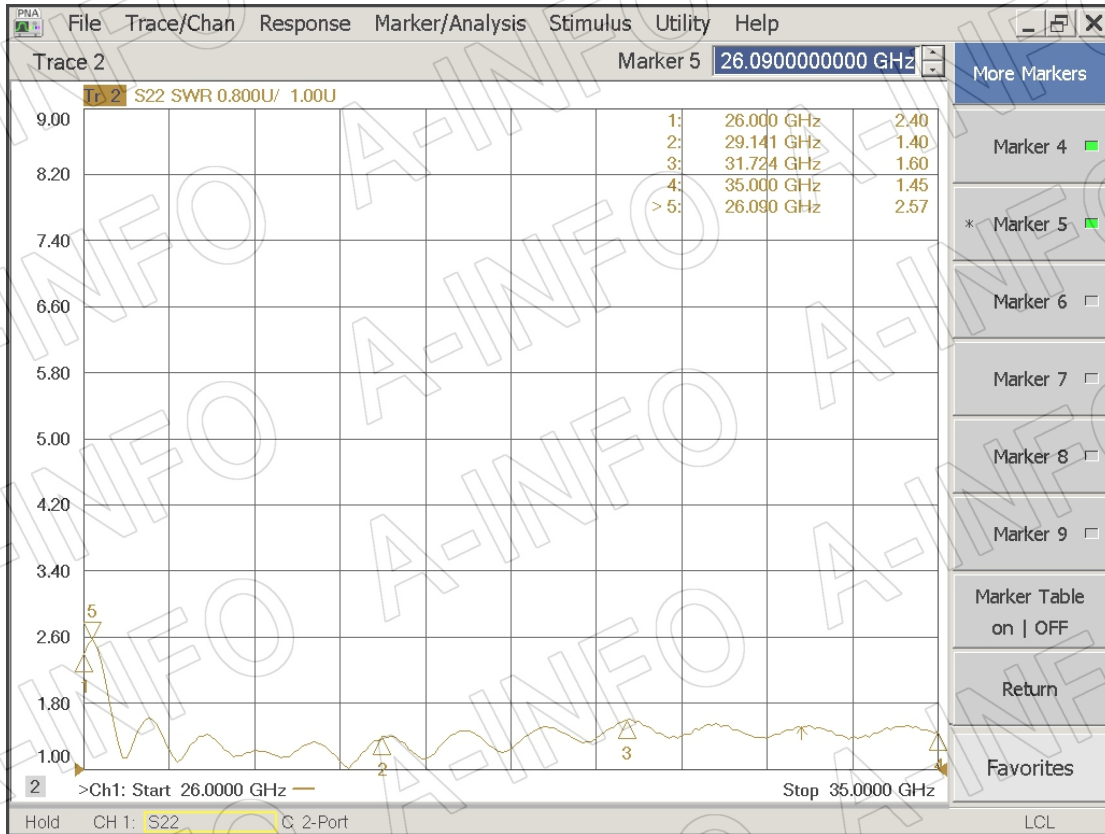
2. Cross Polarization Isolation



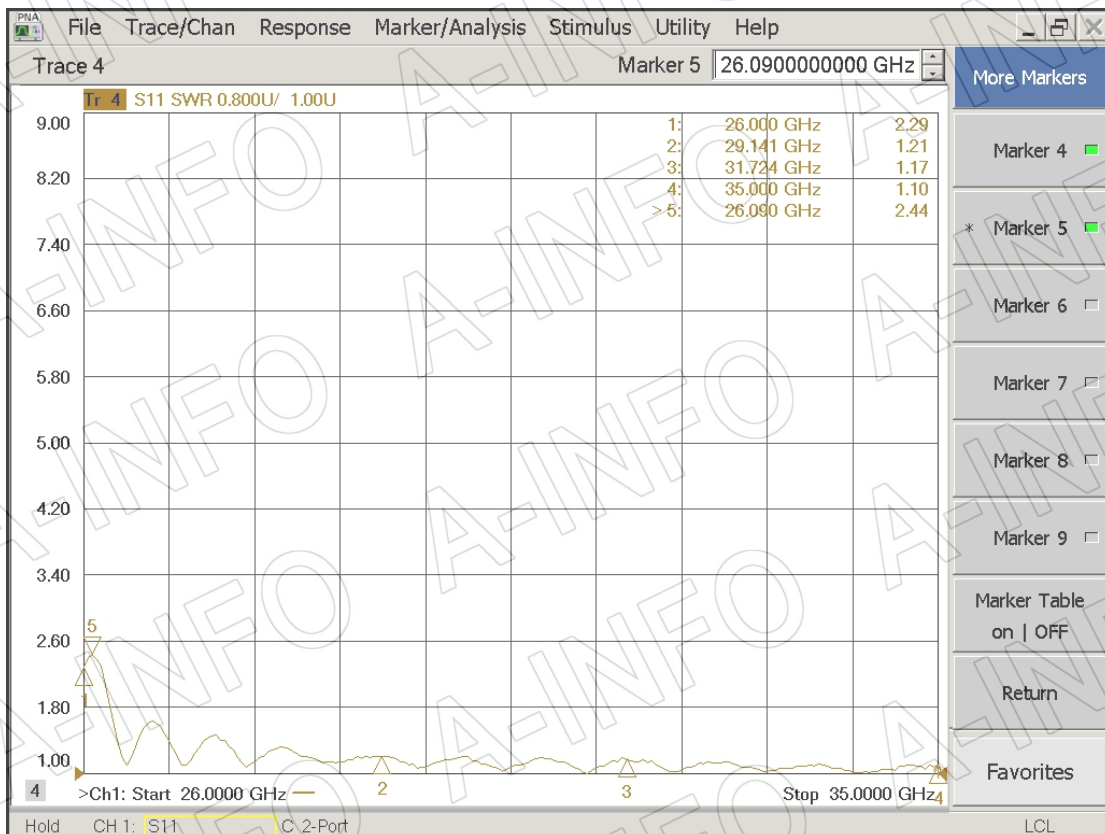
3. Port to Port Isolation



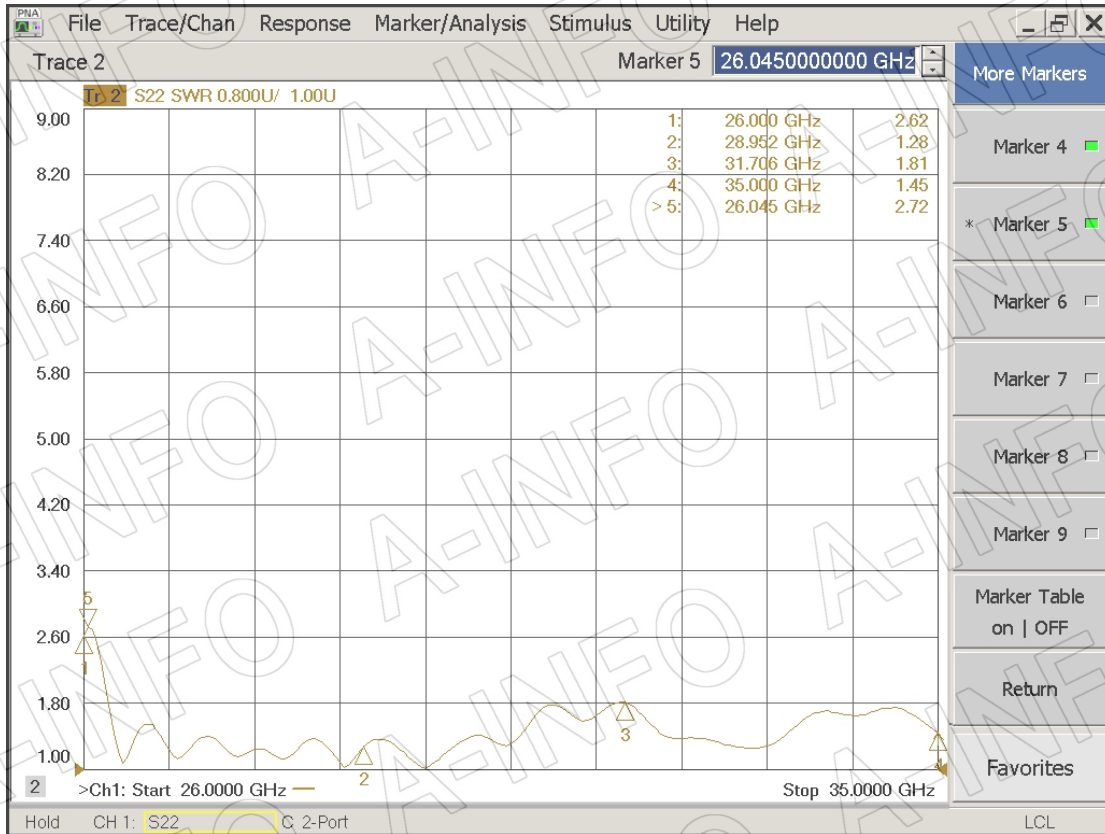
4. VSWR_A Type Port-H



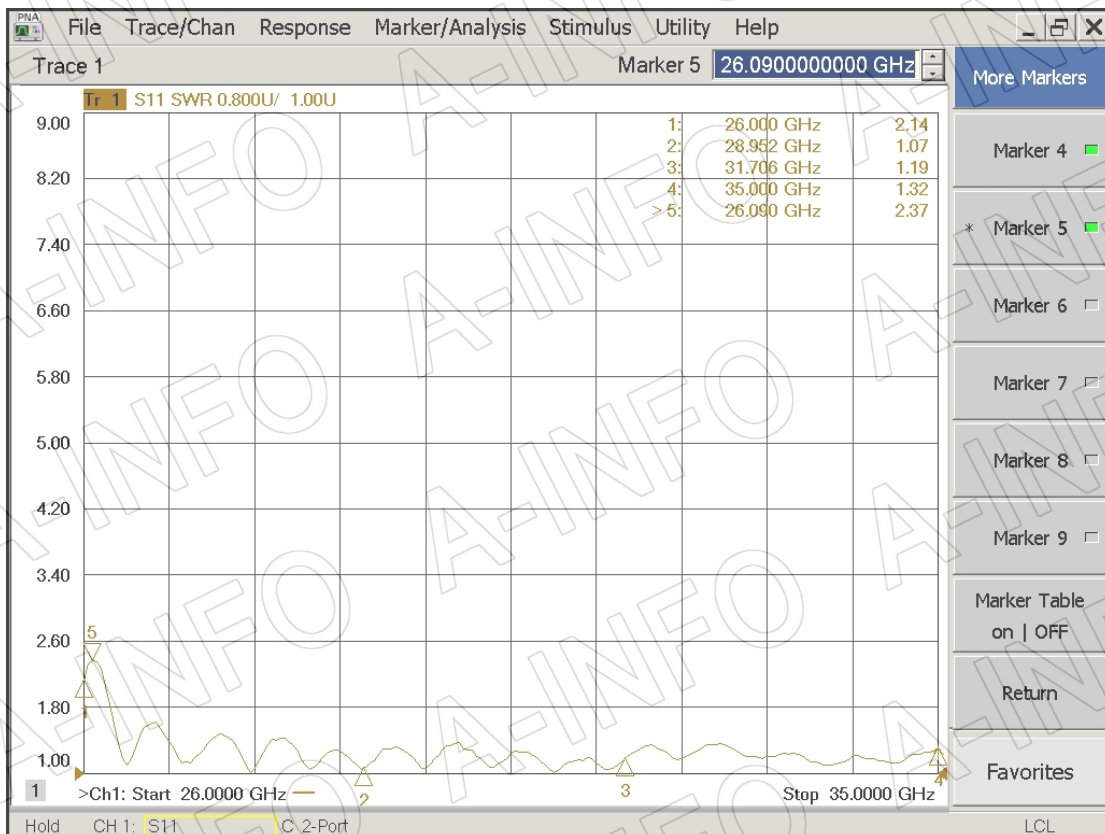
Port-V



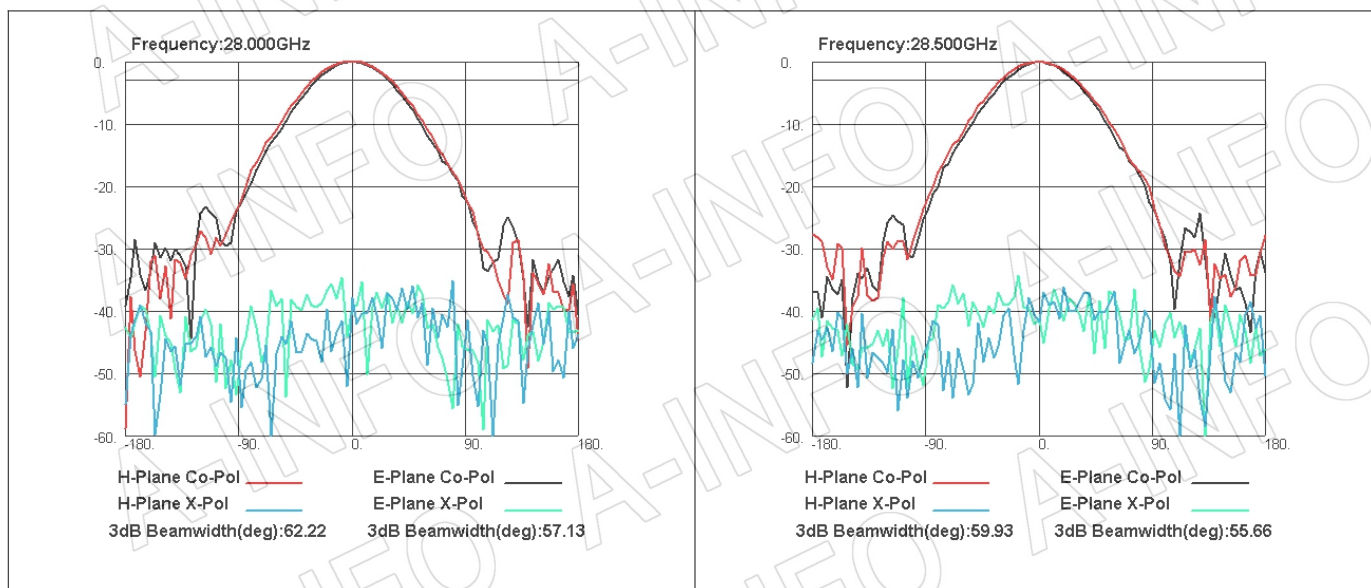
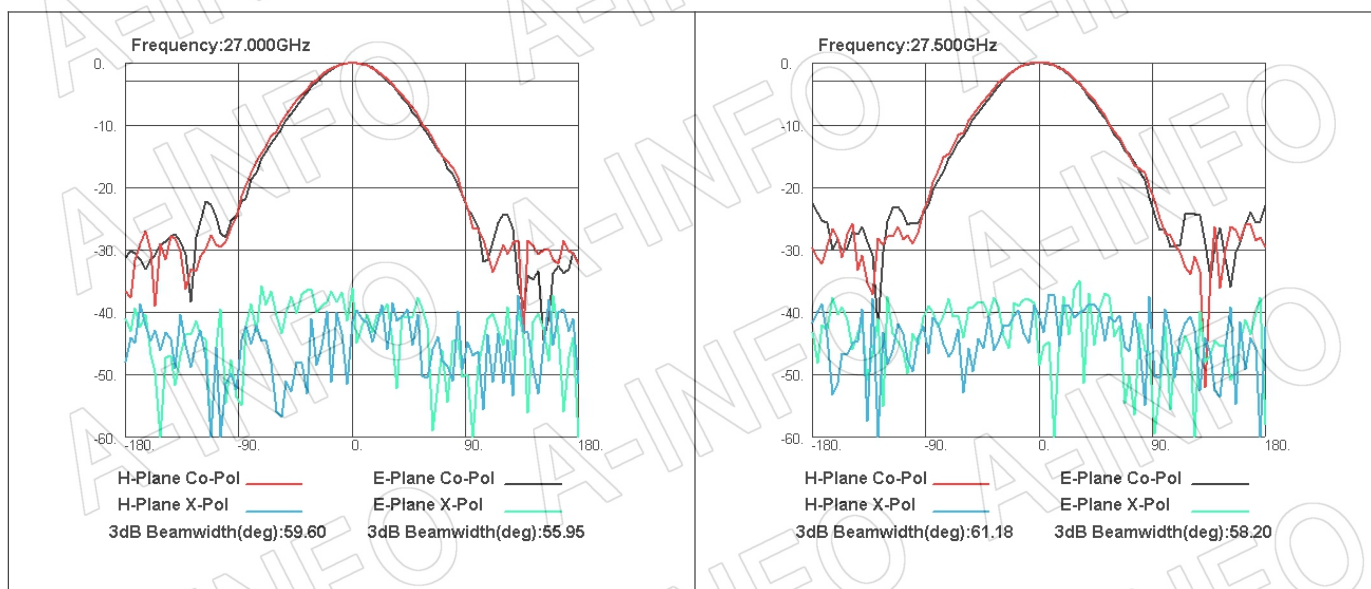
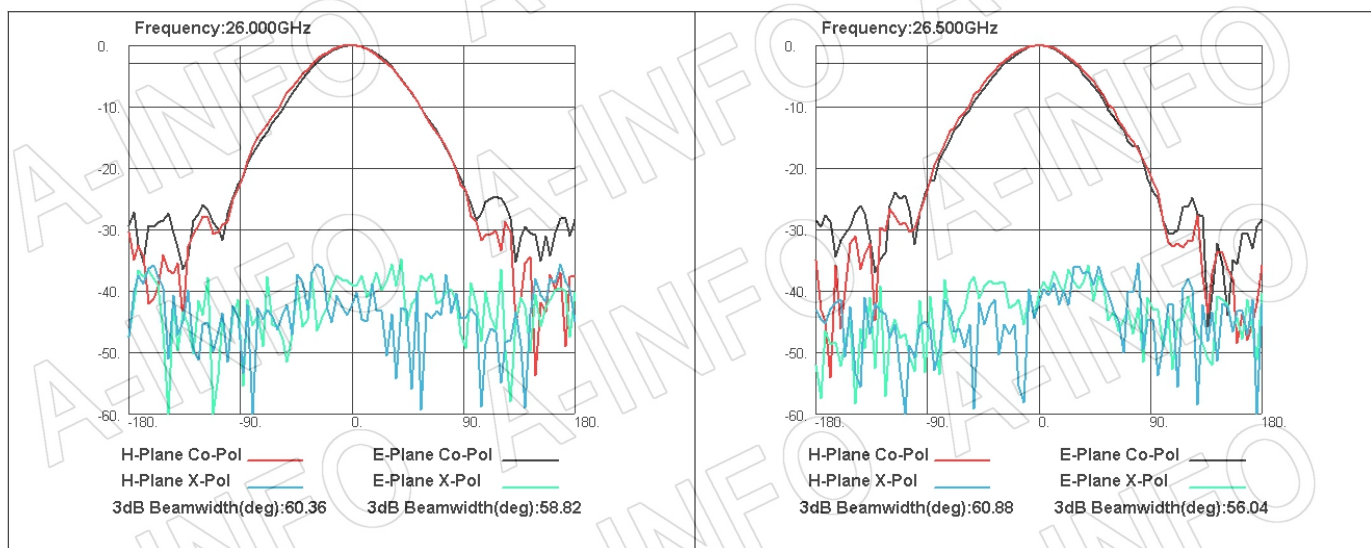
VSWR_C Type Port-H

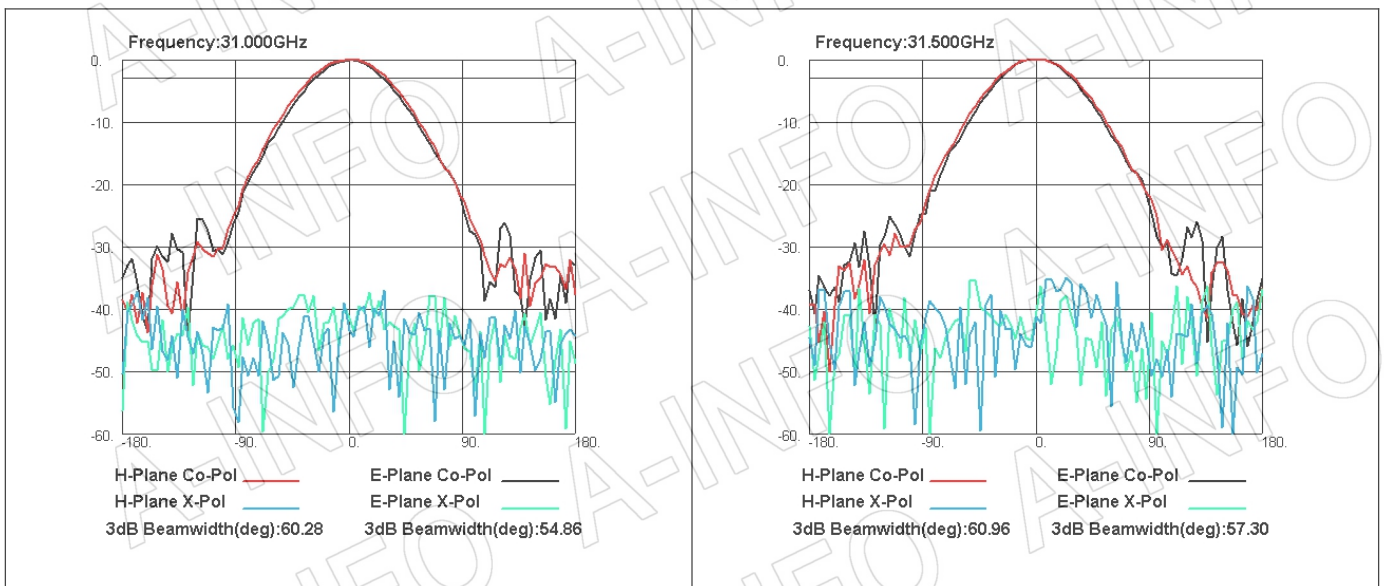
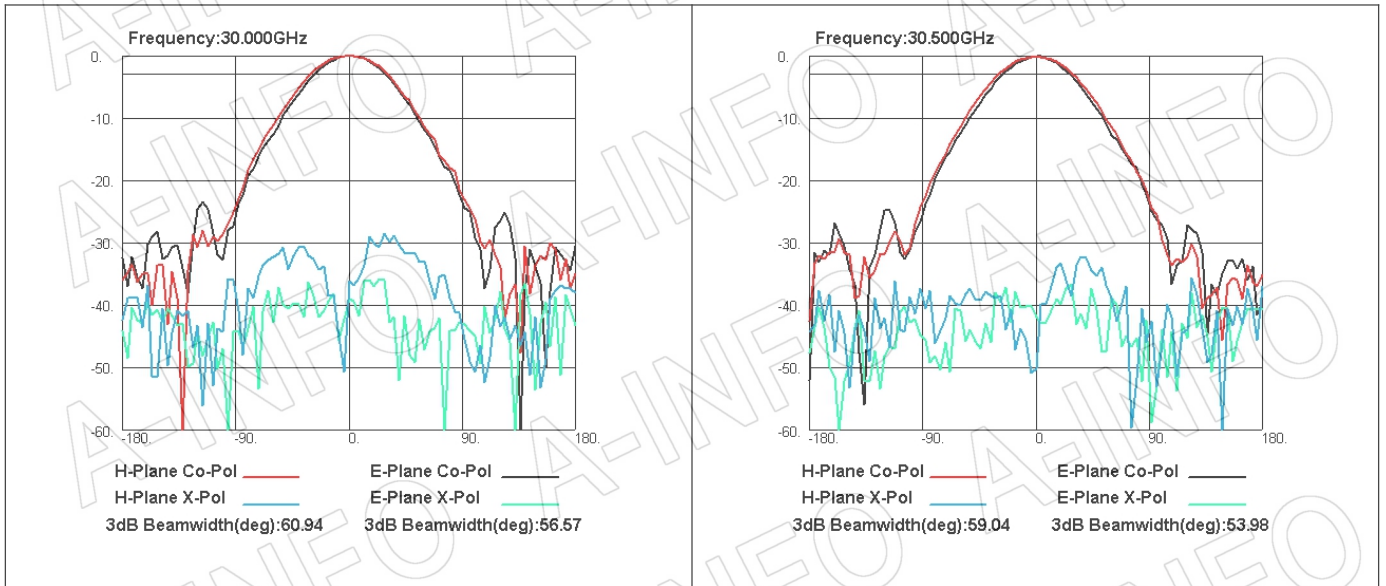
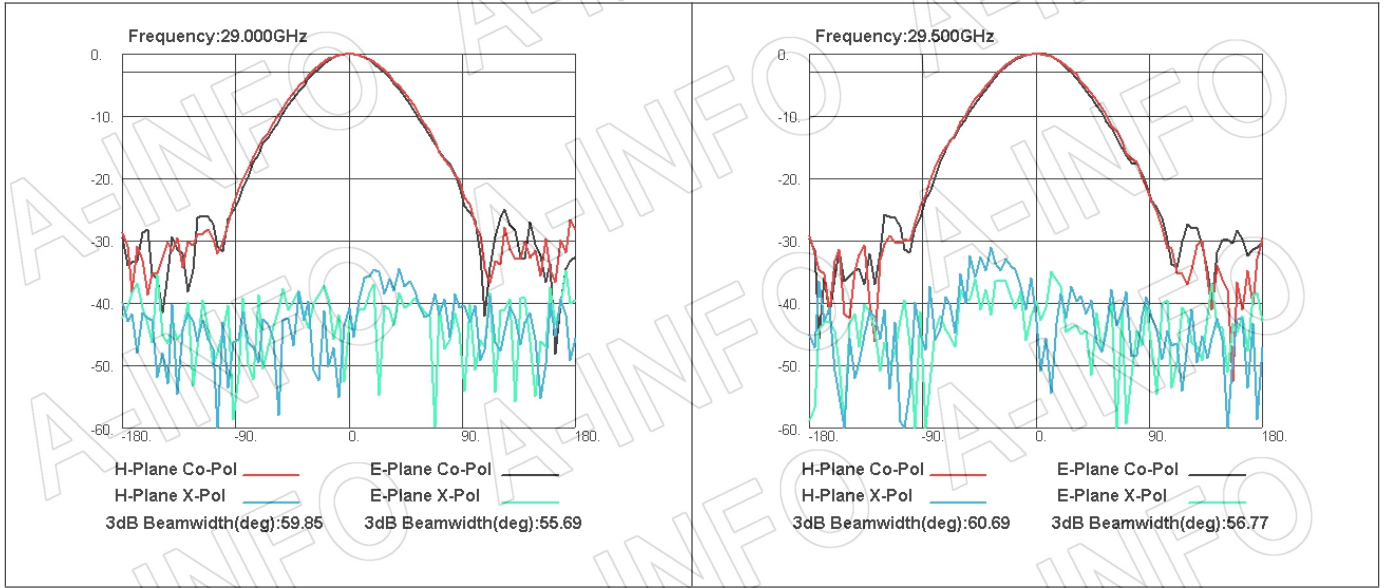


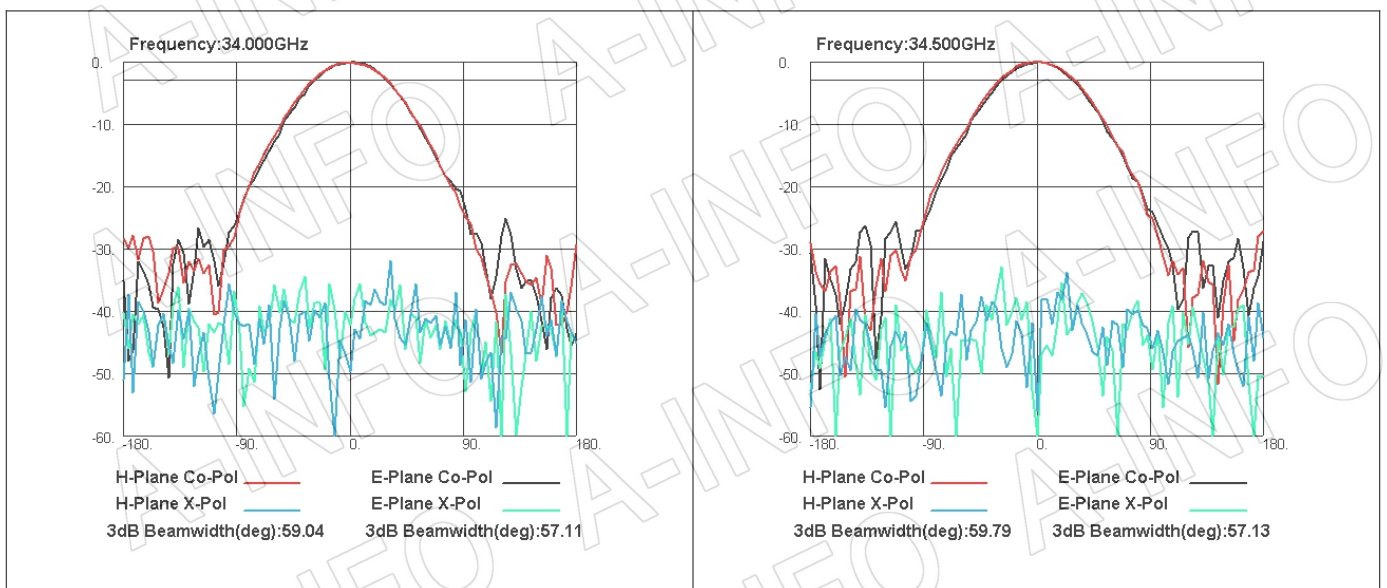
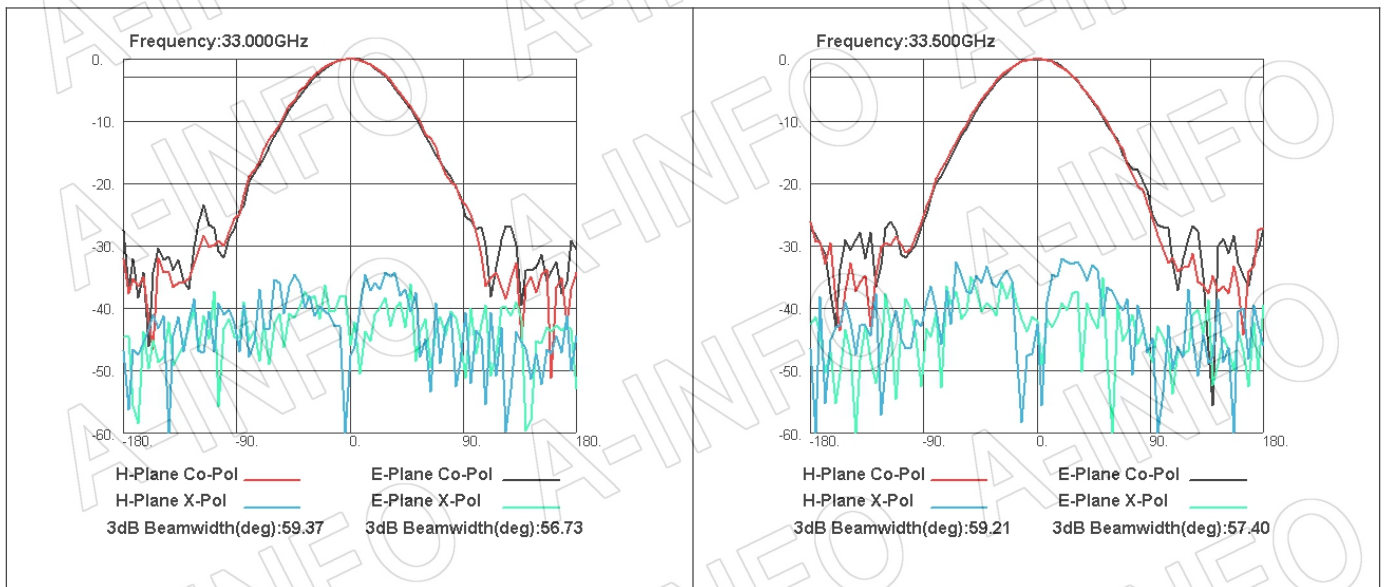
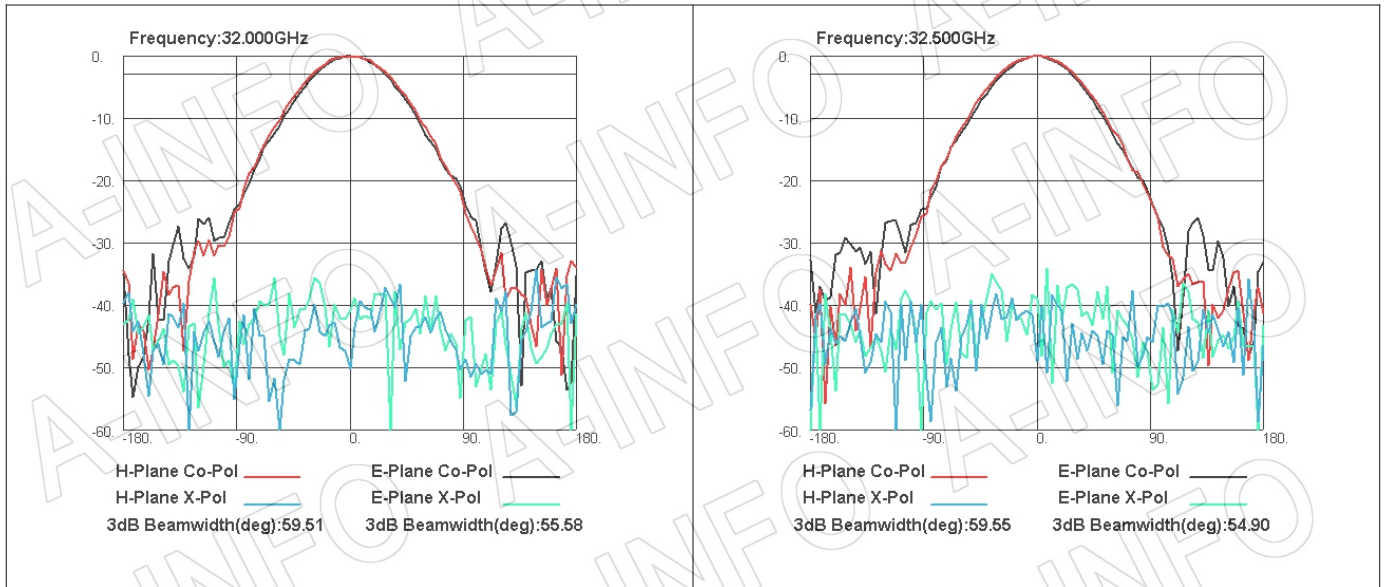
Port-V

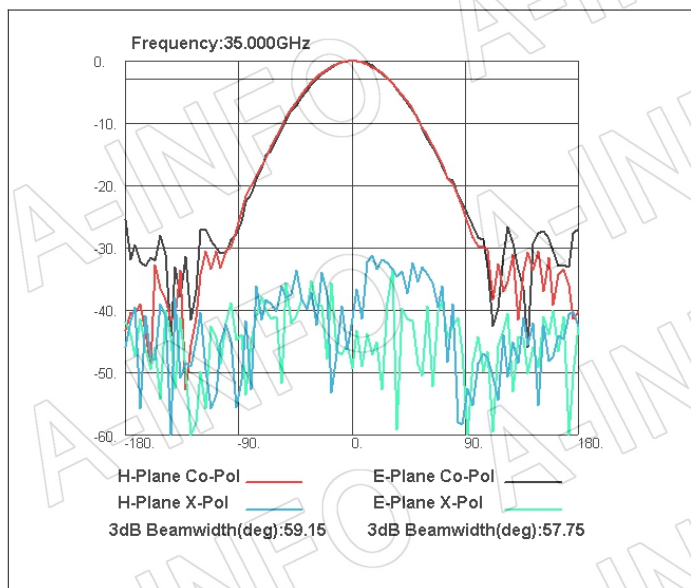


5. Pattern









AINFO Inc.

China(Beijing): Tel: (+86) 10-6266-7326,
China(Chengdu): Tel: (+86) 28-8519-2786,
USA : Tel: (+1) 949-639-9688,

Page 13 of 13

(+86) 10-6266-7327 Fax: (+86) 10-6266-7379
(+86) 28-8519-3044 Fax: (+86) 28-8519-3068
(+1) 949-639-9608 Fax: (+1) 949-639-9670

Website: www.ainfoinc.com
Email: sales@ainfoinc.com